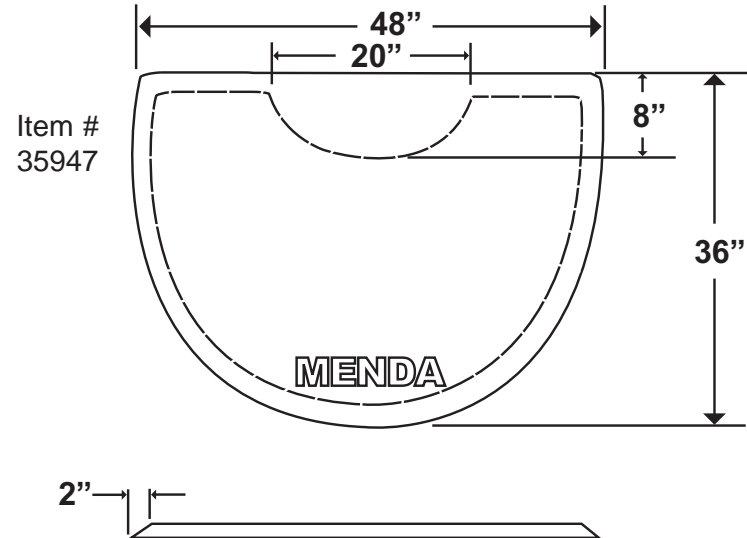
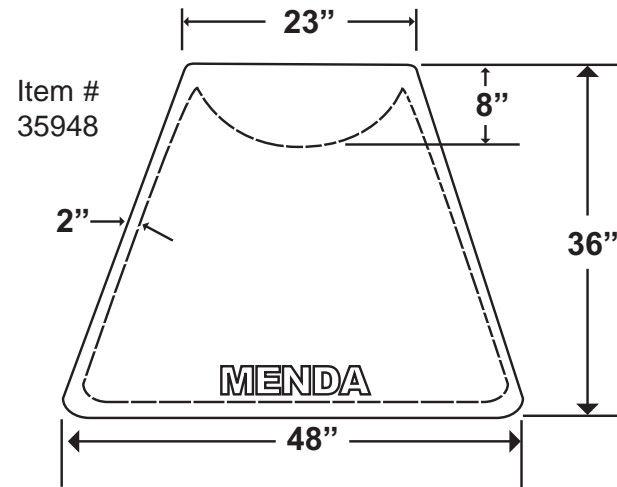


**Description**

The material is 9/16" 2 layers, black/white marble rubber on top and resilient sponge rubber underneath to provide superior antifatigue properties.

There is a 3 year guarantee against manufacturing defects. Properly maintained mats are useful for 10 plus years.

ITEM #	DESCRIPTION	SIZE
35945	Mat,Antifatigue,Rubber Top,Black/White Marble,Rectangular	2' x 3'
35946	Mat,Antifatigue,Rubber Top,Black/White Marble,Rectangular	3' x 4'
35947	Mat,Antifatigue,Rubber Top,Black/White Marble,Half-Circle	3' x 4'
35948	Mat,Antifatigue,Rubber Top,Black/White Marble,Pie	3' x 4'



**Anti-fatigue Mats**

**MENDA**

3651 WALNUT AVE., CHINO, CA 91710  
 PHONE: (909) 627-2453 • FAX: (951) 755-8848  
 WEBSITE: MendaPump.com

**DRAWING  
 NUMBER**  
 35945

**DATE:**  
 July  
 2008